

# Clapping Hands



Follow the instructions to make the moving mechanism. It is best to use strong card for this activity.

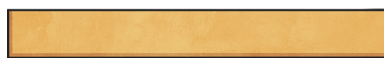
## Step 1

Cut **two** strips of card with the measurement:  
**10cm x 2cm**



## Step 2

Cut **one** strip of card with the measurement:  
**14cm x 2cm**



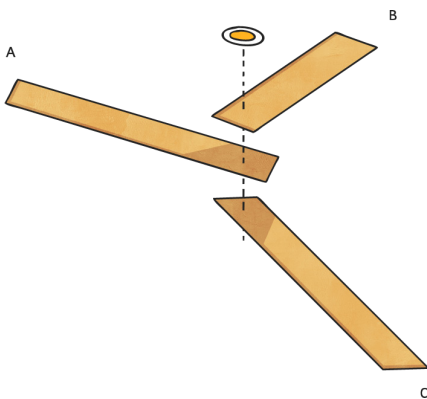
## Step 3

Cut **one** strip of card with the measurement:  
**10cm x 8cm**



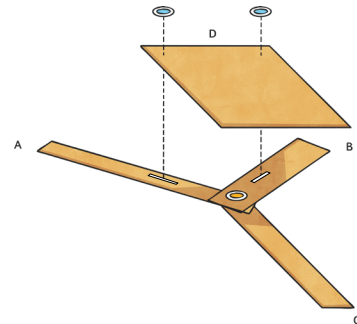
## Step 4

Push a split pin through the three strips of card as shown.



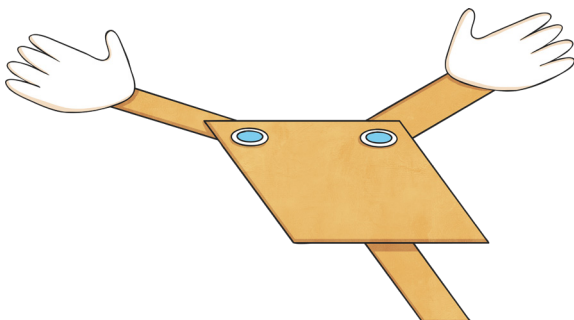
## Step 5

Push split pins through two corners of the rectangle and line them up with the strips of card. Cut slots into the arms and push the pins through them. Ensure the slots are wide enough to allow the pins to move freely. Do not fix the pins tightly.



## Step 6

Cut two hands out and stick to the arms.



## Step 7

Pull the strip up and down and the hands will clap together!

